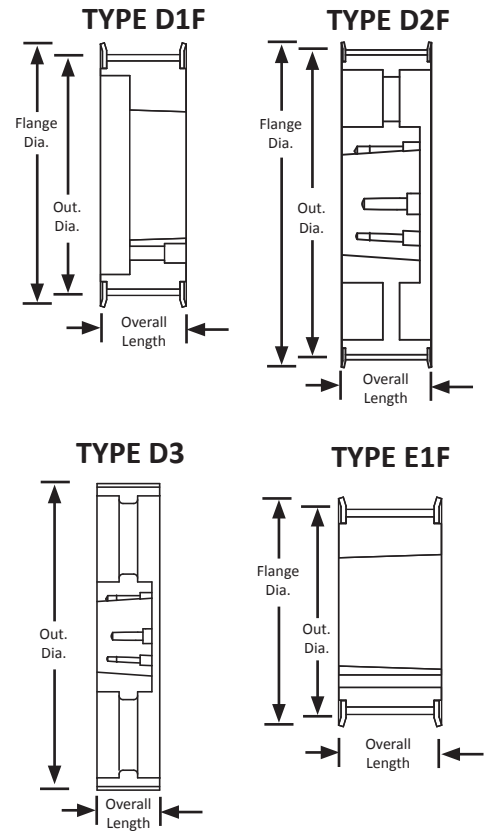


**POWERHOUSE™ HTD®****TIMING PULLEYS****14 mm Pitch****For 40 mm Wide Belts****Iron****Black Oxide Plating****QD® Style**

Part Number	No. of Teeth	Type	Pitch Dia. (in)	Out. Dia. (in)	Flange Dia. (in)	Bore / Bushing	Face Width (in)	Overall Length (in)
QD28-14M-40	28	E1F	4.912	4.802	5.560	SK	2.125	2.750
QD29-14M-40	29	E1F	5.088	4.978	5.560	SK	2.125	2.750
QD30-14M-40	30	D1F	5.263	5.153	6.130	SK	2.125	2.125
QD32-14M-40	32	D1F	5.614	5.504	6.130	SK	2.125	2.125
QD34-14M-40	34	D1F	5.965	5.855	6.500	SK	2.125	2.125
QD36-14M-40	36	D1F	6.316	6.206	6.810	SF	2.125	2.125
QD38-14M-40	38	D1F	6.667	6.557	7.160	SF	2.125	2.125
QD40-14M-40	40	D1F	7.018	6.909	7.500	SF	2.125	2.125
QD44-14M-40	44	D1F	7.720	7.610	8.220	E	2.125	2.125
QD48-14M-40	48	D1F	8.421	8.311	8.940	E	2.125	2.125
QD52-14M-40	52	D1F	9.123	9.013	9.690	E	2.125	2.125
QD56-14M-40	56	D1F	9.825	9.715	10.380	E	2.125	2.125
QD60-14M-40	60	D1F	10.527	10.417	11.060	E	2.125	2.125
QD64-14M-40	64	D2F	11.229	11.119	11.750	E	2.125	2.125
QD68-14M-40	68	D2F	11.930	11.820	12.500	E	2.125	2.125
QD72-14M-40	72	D2F	12.632	12.522	13.190	E	2.125	2.125
QD80-14M-40	80	D2F	14.036	13.925	14.630	E	2.125	2.125
QD90-14M-40	90	D3	15.790	15.680	-	E	2.125	2.125
QD112-14M-40	112	D3	19.650	19.540	-	E	2.125	2.125
QD144-14M-40	144	D3	25.264	25.154	-	E	2.125	2.125



For Powerhouse™ ACHE sprockets,  
see page 174.